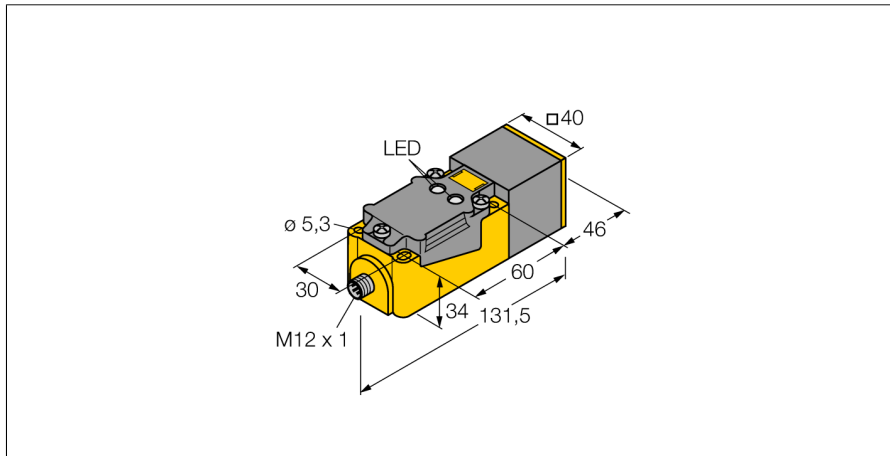
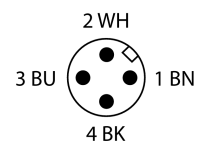
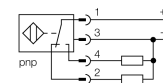


**Inductive sensor**  
**With selective behaviour**  
**NI20NF-CP40-VP4X2-H1141**



- Rectangular, height 40 mm
- Variable orientation of active face in 9 directions
- Plastic, PBT-GF30-V0
- Detects only non-ferromagnetic metal
- DC 4-wire, 10...65 VDC
- Changeover contact, PNP output
- M12 x 1 male connector

**Wiring Diagram**



<b>Type designation</b>	NI20NF-CP40-VP4X2-H1141
Ident-No.	15092
<b>Rated switching distance <math>S_n</math></b>	20 mm
Mounting conditions	Non-flush
Secured operating distance	$\leq (0,81 \times S_n)$ mm
Repeat accuracy	$\leq 2\%$ of full scale
Temperature drift	$\leq \pm 10\%$
Hysteresis	3...15 %
Ambient temperature	0...+60 °C
<b>Operating voltage</b>	10...65 VDC
Residual ripple	$\leq 10\% U_{s\text{}}$
DC rated operational current	$\leq 200$ mA
No-load current $I_0$	$\leq 15$ mA
Residual current	$\leq 0.1$ mA
Isolation test voltage	$\leq 0.5$ kV
Short-circuit protection	yes
Voltage drop at $I_0$	$\leq 1.8$ V
Wire breakage/Reverse polarity protection	yes/ Complete
Output function	4-wire, Complementary contact, PNP
Protection class	□
Switching frequency	0.1 kHz
<b>Design</b>	Rectangular,CP40
Dimensions	114 x 40 x 40 mm
Housing material	Plastic, PBT-GF30-V0, Black
Active area material	Plastic, PBT-GF30-V0, yellow
Electrical connection	Connectors, M12 x 1
Vibration resistance	55 Hz (1 mm)
Shock resistance	30 g (11 ms)
Protection class	IP67
MTTF	392 years acc. to SN 29500 (Ed. 99) 40 °C
<b>Power-on indication</b>	LED,Green
Switching state	LED,Yellow

**Functional principle**

Inductive sensors detect metal objects contactless and wear-free. For this purpose they use a high-frequency electromagnetic AC field that interacts with the target.

Inductive sensors of the NF series with selective performance detect non-ferrous metals only.

**Inductive sensor**  
**With selective behaviour**  
**NI20NF-CP40-VP4X2-H1141**

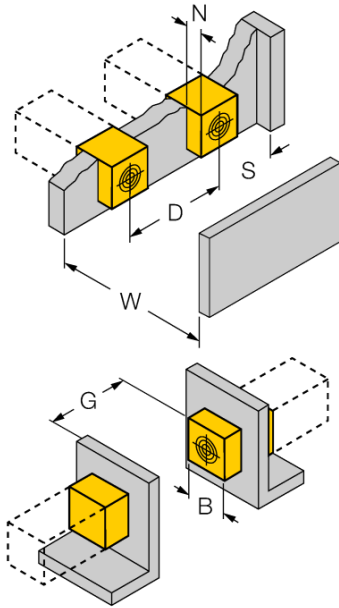
---

Distance D	$3 \times B$
Distance W	$3 \times S_n$
Distance S	$1.5 \times B$
Distance G	$6 \times S_n$
Distance N	$1 \times B$

---

**Width active area B** 40 mm

---



flush mounting in St37 admissible

**Inductive sensor  
With selective behaviour  
NI20NF-CP40-VP4X2-H1141**



**Accessories**

Type code	Ident-No.	Description	
Adjusting bar JS 025/037	69429	Adjusting bar for rectangular housings CK/CP40; material: VA 1.4301	
BSS-CP40	6901318	Mounting bracket for rectangular devices; material: Polypropylene	